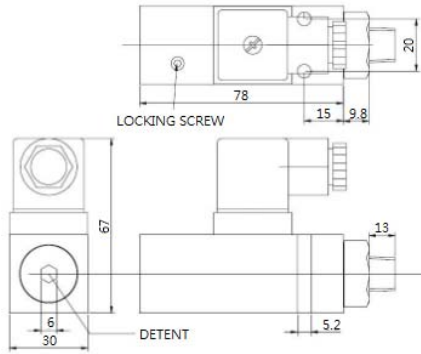
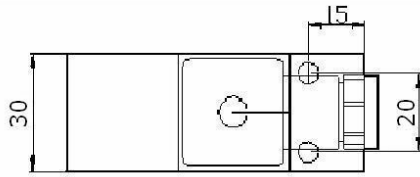


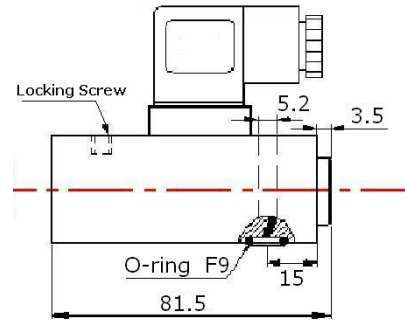
Pressure Switch M Series 压力开关 M 系列



M09



M10



Technical data/技术资料 (Micro-switch approved by UL and CSA/微动开关通过 UL 和 CSA 认证)

Maximum voltage/最大电压	250VAC	30VDC
Current/最大电流	3A	4A
Repetition accuracy/精准度	1%	
Maximum overpressure/最大压力	600Bar (8500Psi)	
Viscosity range(cst)/黏度	10~800	
Change over frequency/转换次数	80/min	
Medium/媒体	Mineral oil/矿物油	
Operative life/机械寿命	1, 000, 000 次	
Protection/工业保护等级	IP65 DIN 40050	

Operation Pressure Range/压力范围

Type No./型号	M09	M10
Operating Pressure Range 操作压力范围	10: 3~10bar (44~145psi) 70: 5~70bar (70~1000psi) 150: 10~150bar (150~2200psi) 250: 25~250bar (350~3500psi) 400: 30~400bar (450~6000psi)	
Connection/连接	P = 1/4"PT Pipe connection / 1/4"PT 牙 管连接 N = 1/4"NPT Pipe connection / 1/4"NPT 牙 管连接 B = 1/4"BSP Pipe connection / 1/4"BSP 牙 管连接	Non = Flange connection / 板式连接

